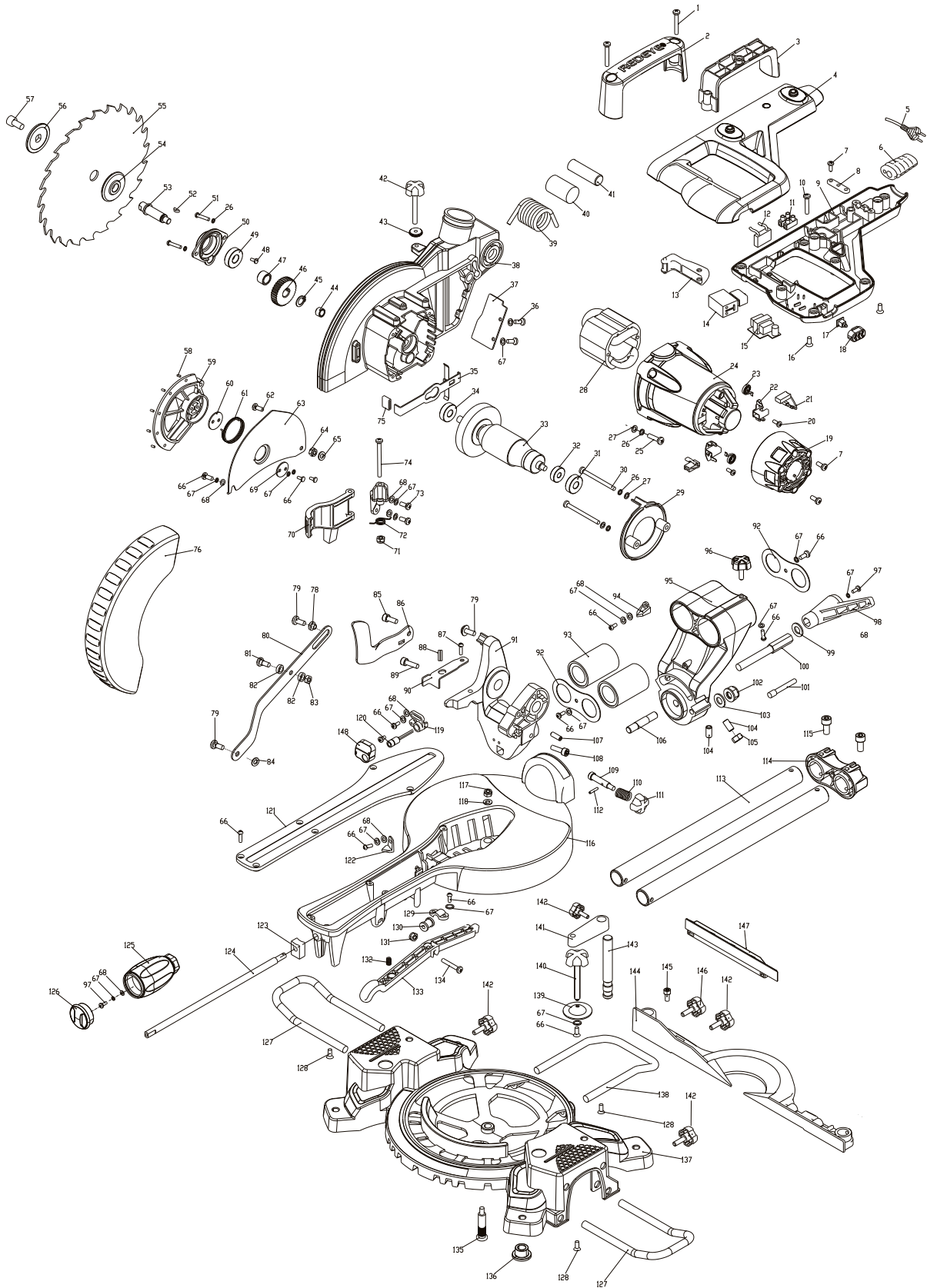


POS. No.	Ref.No.	Description	POS. No.	Ref.No.	Description
-------------	---------	-------------	-------------	---------	-------------



POS. No.	Ref.No.	Description
1	187000	Screw ST5,5X60
2	187001	Up carrying handle
3	187002	Carrying handle
4	187003	Upper handle
5	187004	Cord plug
6	187005	Cord protector
7	187006	Screw ST4,2X13
8	187007	Cord clamp
9	187008	Lower handle
10	187009	Screw M5X40
11	187010	Binding post
12	187011	Capacitor
13	187012	Trigger
14	187013	Switch
15	187014	Laser power
16	187015	Screw ST4,2X16
17	187016	Laser switch
18	187017	Laser switch cap
19	187018	Motor cover
20	187019	Screw ST4,2X10
21	187020	Brush
22	187021	Brush holder
23	187022	Brush spring
24	187023	Motor housing
25	187024	Screw M5X16
26	187025	Spring washer Φ5
27	187026	Washer Φ5
28	187027	Stator
29	187028	Fan Guide
30	187029	Screw M4X62
31	187030	Bearing shoe
32	187031	Bearing 6027
33	187032	Armature
34	187033	Bearing 6100
35	187034	Spindel locker
36	187035	Screw M4X10
37	187036	Lower guard
38	187037	Fixed guard
39	187038	Big torsion spring
40	187039	Spring sleeve
41	187040	Pivot shaft
42	187041	Depth adjust knob
43	187042	Knurled thin nut
44	187043	Axle bearing Φ8xΦ12xΦ10
45	187044	C ring
46	187045	Slice Gear
47	187046	Bush
48	187047	Screw M4X10
49	187048	Bearing 6101
50	187049	Front cap
51	187050	Screw M4X16
52	187051	Woodruff Key 3x10
53	187052	Spindle
54	187053	Inner Flange
55	187054	Blade
56	187055	Flange outer
57	187056	Blade screw M 8x22 Left
58	187057	Rivet
59	187058	Cast centre
60	187059	Plate
61	187060	Torsion spring
62	187061	Special screw M5X10
63	187062	Guard fixer
64	187063	Lock nut M5
65	187064	Washer
66	187047	Screw M4X10
67	187066	Spring washer Φ4
68	187067	Washer Φ4
69	187068	Clamp
70	187069	Shield lock
71	187070	Lock nut M5
72	187071	Torsion spring
73	187072	Screw M4X14
74	187073	Screw M5X70
75	187074	Spindel lock cap
76	187075	Moving guard
78	187077	Slide ring

POS. No.	Ref.No.	Description
79	187078	Shoulder screw M6X14
80	187079	Linkage
81	187080	Screw M6X20
82	187081	Bearing 687Z
83	187082	Lock nut M6
84	187083	Washer Φ6x9
85	187084	Screw M5X10
86	187085	Linkage support
87	187086	Screw M5X12
88	187087	Flexible pin
89	187088	Hex Screw M6x20
90	187089	Trench depth bracket
91	187090	Bracket
92	187091	Bearing Cover
93	187092	Linear bearing
94	187093	Bevel point
95	187094	Arm TKN 65
96	187095	Knob
97	187096	Screw M4X16
98	187097	Bevel lock handle
99	187098	Lock washer
100	187099	Bevel lock bolt
101	187100	Bevel direction pin
102	187101	Lock nut M10
103	187102	Washer
104	187103	Hex Screw M8x16
105	187104	Nut M8
106	187105	Double stud
107	187106	Hex Screw M6x25
108	187107	Hex Screw M8x25
109	187108	Lock pin
110	187109	Lock pin spring
111	187110	Lock pin knob
112	187111	Flexible pin
113	187112	Slide
114	187113	Slide end cap
115	187114	Hex Screw M6x20
116	187115	Table
117	187116	Lock nut M8
118	187117	Washer Φ8
119	187118	Laser seat
120	187119	Laser
121	187120	Cutting insert
122	187121	Mitre point
123	187122	Lock block
124	187123	Thread staff
125	187124	Mitre locker
126	187125	Mitre lock cap
127	187126	Support
128	187127	Screw M4X8
129	187128	Clip board
130	187129	Special nut
131	187130	Lock nut M6
132	187131	Press Spring
133	187132	Table localizer
134	187133	Screw M6X35
135	187134	Base pin
136	187135	Rubber leg.
137	187136	Base
138	187137	Support
139	187138	Clamp
140	187139	Workpiece knob
141	187140	Support
142	187141	Knob
143	187142	Support pole
144	187143	Fence
145	187144	Hex Screw M8x16
146	187095	Knob
147	187146	Attach fence
148	187147	Laser cap